

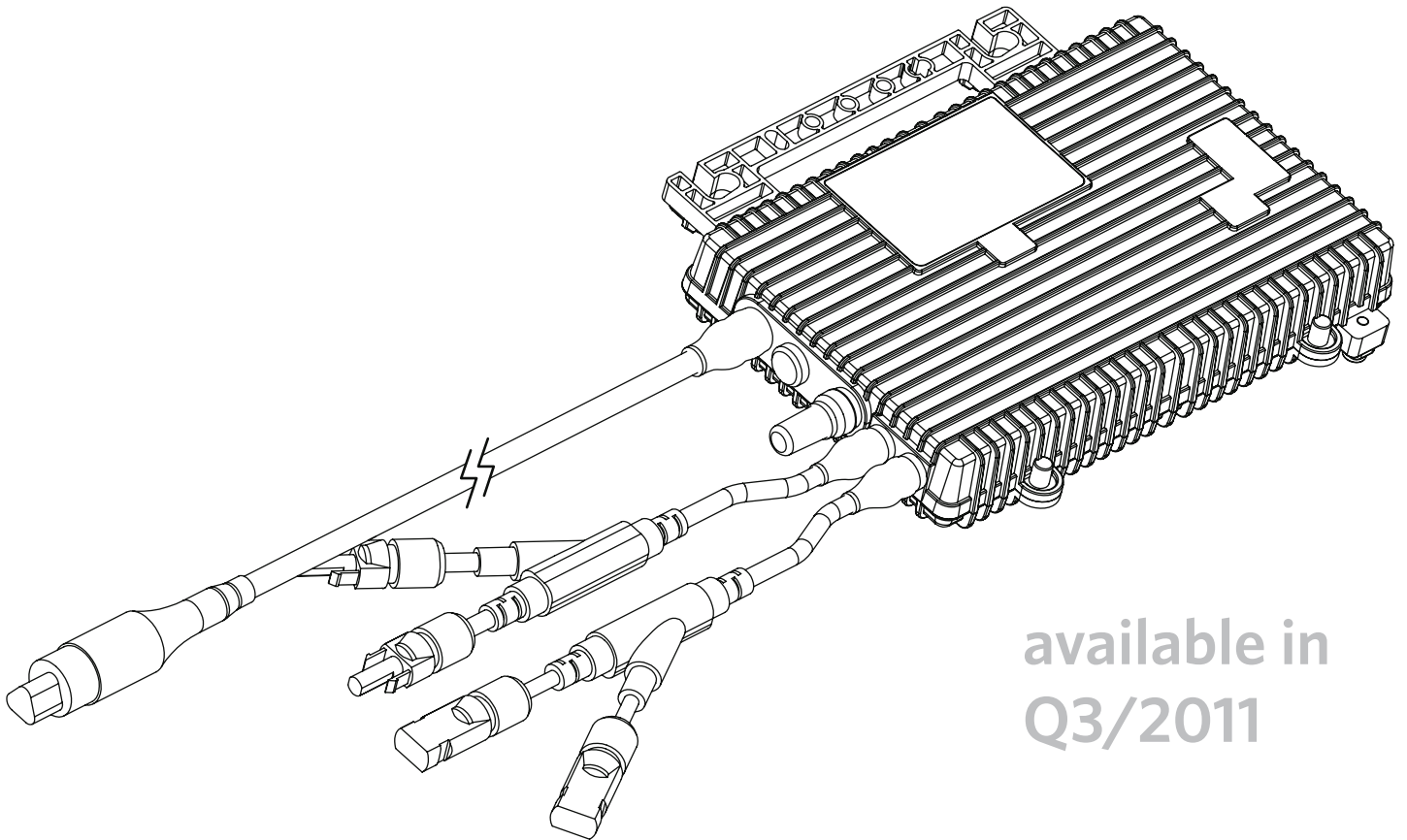
Enecsys Enables  
OPTIMAL  
SOLAR  
SOLUTIONS

intelligent reliable power



## Enecsys Micro Inverters

SMI-D480W-60-UK



available in  
Q3/2011

**Maximized Energy Harvest**

---

**Improved Safety**

---

**Increased Lifetime & Reliability**

---

**Enhanced Monitoring Capability**

---

**Simplified PV Array Design & Installation**

---

Enecsys develops, manufactures and markets world leading, highly reliable grid-connected solar micro inverters and monitoring systems that offer an outstanding value proposition for solar PV systems.

**Enecsys Ltd**

Harston Mill, Royston Rd  
Cambridge, CB22 7GG, UK  
Tel. +44 (0)1223 792101  
Fax. +44 (0)1223 792103

**Enecsys Europe GmbH**

Louisenstraße 65  
61348 Bad Homburg, Deutschland  
Tel. +49 (0)6172 8552430  
Fax. +49 (0)6172 8552440

**Enecsys LLC**

275 Shoreline Drive, Suite 200  
Redwood Shores, CA 94065, USA  
Tel. +1 855-ENECSYS (Toll Free)  
Tel. +1 650-598-9366

info@enecsys.com | www.enecsys.com



# Enecsys Micro Inverters SMI-D480W-60-UK

intelligent reliable power



## Technical specifications

## SMI-D480W-60-UK

### Input Data (DC)

Nominal Input Power	480W
Recommended PV Power (STC)	500W
Maximum DC Voltage	43V
Minimum DC Voltage	20V
MPPT Voltage Range	21V - 35V
Maximum Input Current	24A

### Output Data (AC)

Maximum Output Power	480W
Nominal AC Output Current	1.96A
Nominal Output Voltage / Range	230V / 207V - 264V
Nominal Output Frequency / Range	50Hz / 47.5 - 50.5
Power Factor	> 0.95
Total Harmonic Distortion	< 5%
Maximum Units Per Branch	7

### Efficiency

Euro Efficiency	94.0% <sup>1</sup>
Peak Efficiency	96.0% <sup>1</sup>
Maximum Night Power Consumption	< 30mW

### Mechanical Data

Ambient Temperature	-40°C to +85°C
Enclosure Rating	IP66
Dimensions (L x H x W)	262mm x 211.4mm x 39.4mm
Weight	2.1kg
Cooling	Natural Convection

### Features & Compliance

Compliance	CE
Safety Class Compliance	prEN 62109-1
EMC (Emission & Immunity) Compliance	EN61000-6-3, EN61000-6-1
Grid Connection Compliance <sup>2</sup>	G83/1-1
Communication	Wireless IEEE 802.15.4
Warranty	20 Years

<sup>1</sup>Efficiency maintained over full temperature range from -40°C to +85°C.

DS-D4-60-170511-EN

<sup>2</sup>In accordance with the Enecsys installation guidelines (please refer to the Enecsys Installation Manual).

All technical specifications contained within this document are subject to change without prior notice.