



- **20.3% efficiency**

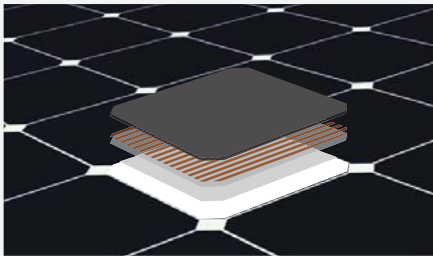
Ideal for roofs where space is at a premium or where future expansion might be needed.

- **Maximum performance**

Designed to deliver the most energy in demanding real world conditions, in partial shade and hot rooftop temperatures.^{1,2,3}

- **Premium aesthetics**

SunPower™ sleek black X-Series panels blend harmoniously into your roof. The most elegant choice for your home.



Maxeon™ Solar Cells: Fundamentally better.

Engineered for performance, designed for durability.

Engineered for peace of mind

Designed to deliver consistent, trouble-free energy over a very long lifetime.^{4,5}

Designed for durability

The SunPower Maxeon Solar Cell is the only cell built on a solid copper foundation. Virtually impervious to the corrosion and cracking that degrade Conventional panels.^{4,5}

Same excellent durability as E-Series panels.

#1 Ranked in Fraunhofer durability test.¹⁰

100% power maintained in Atlas 25+ comprehensive PVDI Durability test.¹¹

UNMATCHED PERFORMANCE, RELIABILITY & AESTHETICS



X20 - 327 PANEL



HIGHEST EFFICIENCY⁶

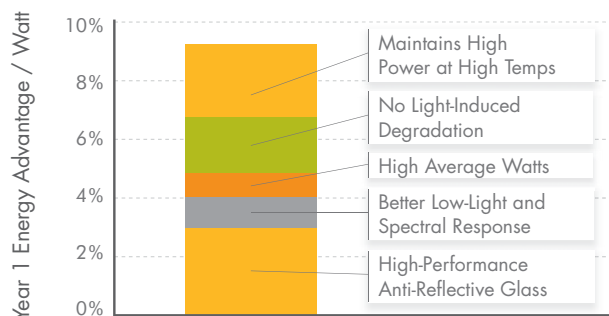
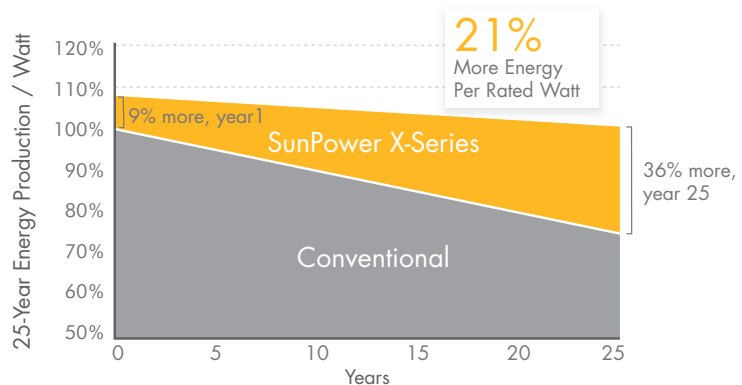
Generate more energy per square meter

X-Series residential panels convert more sunlight to electricity producing 44% more power per panel,¹ and 75% more energy per square meter over 25 years.^{3,4}

HIGHEST ENERGY PRODUCTION⁷

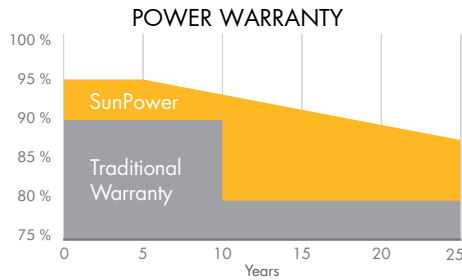
Produce more energy per rated watt

High year one performance delivers 8-10% more energy per rated watt.³ This advantage increases over time, producing 21% more energy over the first 25 years to meet your needs.⁴

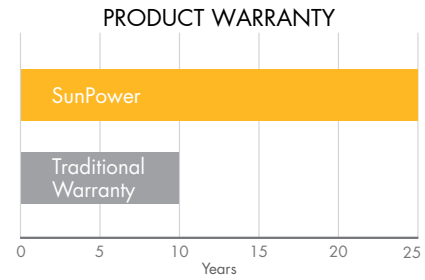


Awarded to SunPower E-Series. X-Series delivers even more energy.⁷

SUNPOWER OFFERS THE BEST COMBINED POWER AND PRODUCT WARRANTY



More guaranteed power: 95% for first 5 years, -0.4%/yr. to year 25.⁸



Combined Power and Product defect 25 year coverage that includes panel replacement costs.⁹

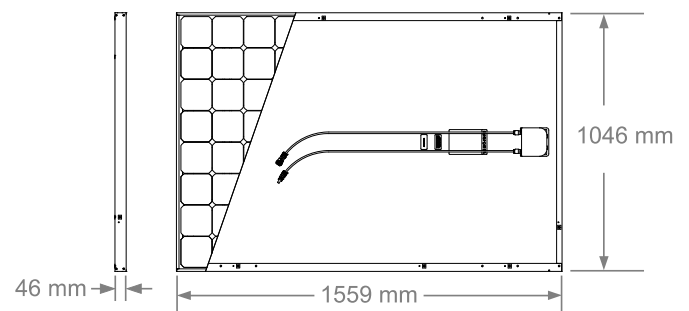
ELECTRICAL DATA	
	X20-327-BLK
Nominal Power ¹² (P _{nom})	327 W
Power Tolerance	+5/-0%
Avg. Panel Efficiency ¹³	20.3%
Rated Voltage (V _{mpp})	57.3 V
Rated Current (I _{mpp})	5.71 A
Open-Circuit Voltage (V _{oc})	67.6 V
Short-Circuit Current (I _{sc})	6.07 A
Max. System Voltage	1000 V IEC & 600 V UL
Maximum Series Fuse	20 A
Power Temp Coef.	-0.30% / °C
Voltage Temp Coef.	-167.4 mV / °C
Current Temp Coef.	3.5 mA / °C

OPERATING CONDITION AND MECHANICAL DATA	
Temperature	-40°C to +85°C
Max load	Wind: 2400 Pa, 245 kg/m ² front & back Snow: 5400 Pa, 550 kg/m ² front
Impact resistance	25mm diameter hail at 23 m/s
Appearance	Class A+
Solar Cells	96 Monocrystalline Maxeon Gen III
Tempered Glass	High transmission tempered Anti-Reflective
Junction Box	IP-65 Rated
Connectors	MC4
Frame	Class 1 black anodised (highest AAMA rating)
Weight	18,6 kg

TESTS AND CERTIFICATIONS	
Standard tests	IEC 61215, IEC 61730, UL1703
Quality tests	ISO 9001:2008, ISO 14001:2004
EHS Compliance	RoHS, OHSAS 18001:2007, lead free, PV Cycle
Ammonia test	IEC 62716
Salt Spray test	IEC 61701 (passed maximum severity)
PID test	Potential-Induced Degradation free: 1000V ¹⁰
Available listings	TUV, MCS, UL, CEC

REFERENCES:

- All comparisons are SPR-X21-345 vs. a representative conventional panel: 240W, approx. 1.6 m², 15% efficiency.
- PVEvolution Labs "SunPower Shading Study," Feb 2013.
- Typically 8-10% more energy per watt, BEW/DNV Engineering "SunPower Yield Report," Jan 2013, with CFV Solar Test Lab Report #12063, Jan 2013 temp. coef. calculation;
- SunPower 0.25%/yr degradation vs. 1.0%/yr conv. panel. Campeau, Z. et al. "SunPower Module Degradation Rate," SunPower white paper, Feb 2013; Jordan, Dirk "SunPower Test Report," NREL, Oct 2012.
- "SunPower Module 40-Year Useful Life" SunPower white paper, Feb 2013. Useful life is 99 out of 100 panels operating at more than 70% of rated power.
- Higher than E series which is highest of all 2600 panels listed in Photon Int'l, Feb 2012
- 1% more energy than E-Series panels, 8% more energy than the average of the top 10 panel companies tested in 2012 (151 panels, 102 companies), Photon International, March 2013.
- Compared with the top 15 manufacturers. SunPower Warranty Review, Feb 2013.
- Some exclusions apply. See warranty for details.
- X-Series same as E-Series, 5 of top 8 panel manufacturers were tested by Fraunhofer ISE, "PV Module Durability Initiative Public Report," Feb 2013.
- Compared with the non-stress-tested control panel. X-Series same as E-Series, tested in Atlas 25+ Durability test report, Feb 2013.
- Standard Test Conditions (1000 W/m² irradiance, AM 1.5, 25° C).
- Based on average of measured power values during production.



See <http://www.sunpowercorp.com/facts> for more reference information.

For more details, see extended datasheet: www.sunpowercorp.com/datasheets. Read safety and installation instructions before using this product.

©July 2013 SunPower Corporation. All rights reserved. SUNPOWER, the SUNPOWER logo, MAXEON, MORE ENERGY. FOR LIFE., and SIGNATURE are trademarks or registered trademarks of SunPower Corporation. Specifications included in this datasheet are subject to change without notice.